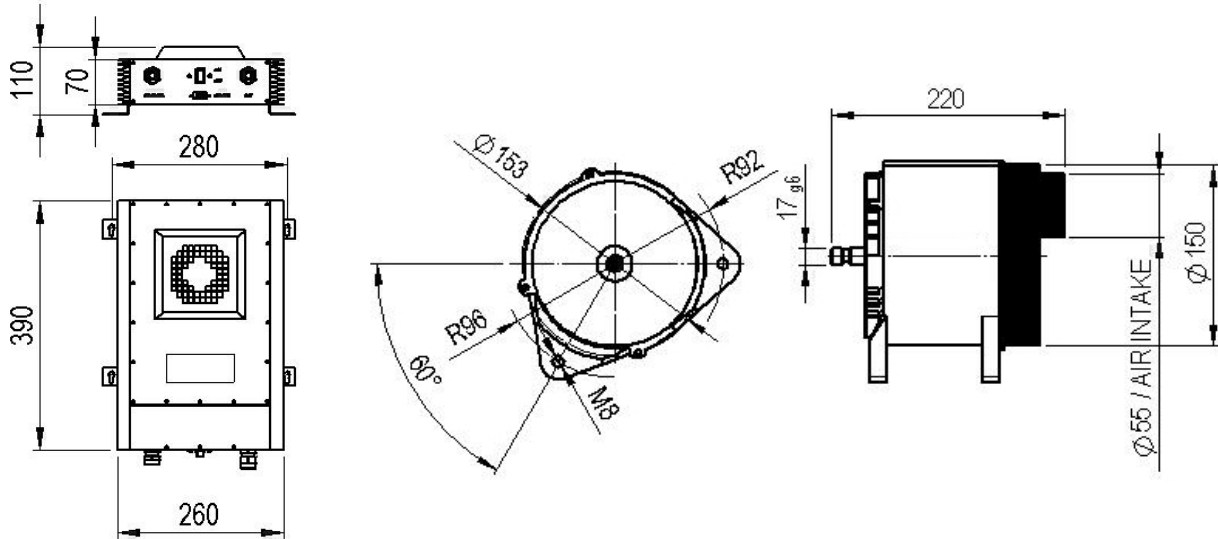


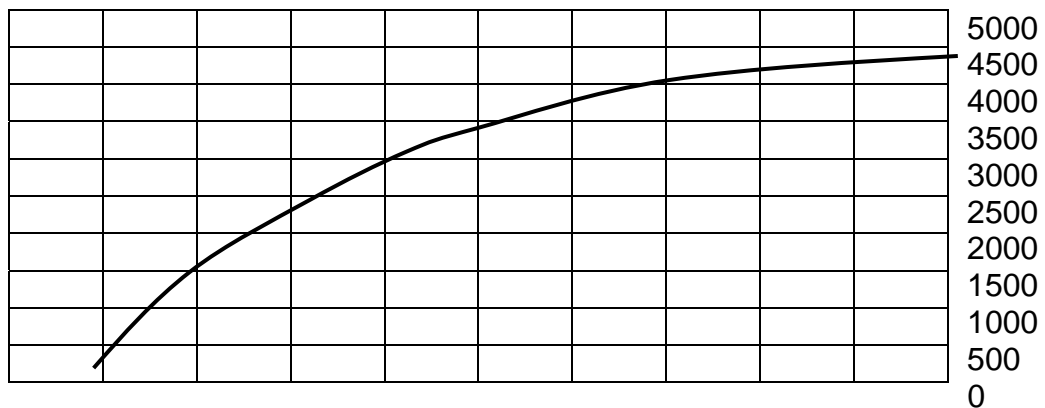
DYNAWATT® 4000

TECHNICAL DATA

Output Voltage: 230V +/-5% , 1-Phasig
 Output Frequency: 50 Hz +/- 0.5 %
 Output Waveform: Sine Wave
 Output Power: 4000 VA intermittend* @ 6000rpm on generator
 3500 VA continuous
 Current: 23 A continuous
 Excitation: self regulating
 Generator Speed: 15'000 rpm continuous
 18'000 rpm intermittent
 Weight control unit: 7.8 kg
 Weight Generator: 7.2 kg
 Protection circuits: Overvoltage, Overload, Overtemperature, Short Circuit
 *15 min per hour
 Scope of supply: Remote control with 7.5m cable
 Soft start
 Automatic switch to shore power



Output Power



Generator	2500	3000	3500	4000	4500	5000	5500	6000	6500	7000	7500
Engine w/3:1	833	1000	1167	1333	1500	1667	1833	2000	2166	2333	2500

Speed RPM

Dynawatt Power Systems

Oberwolfhauerstrasse 10
CH-8633 Wolfhausen

Tel. +41-55-253 26 00
Fax +41-55-253-26 09

Web: www.dynawatt.com
E-mail: info@dynawatt.com